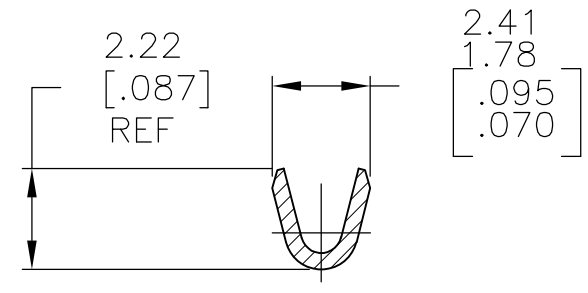
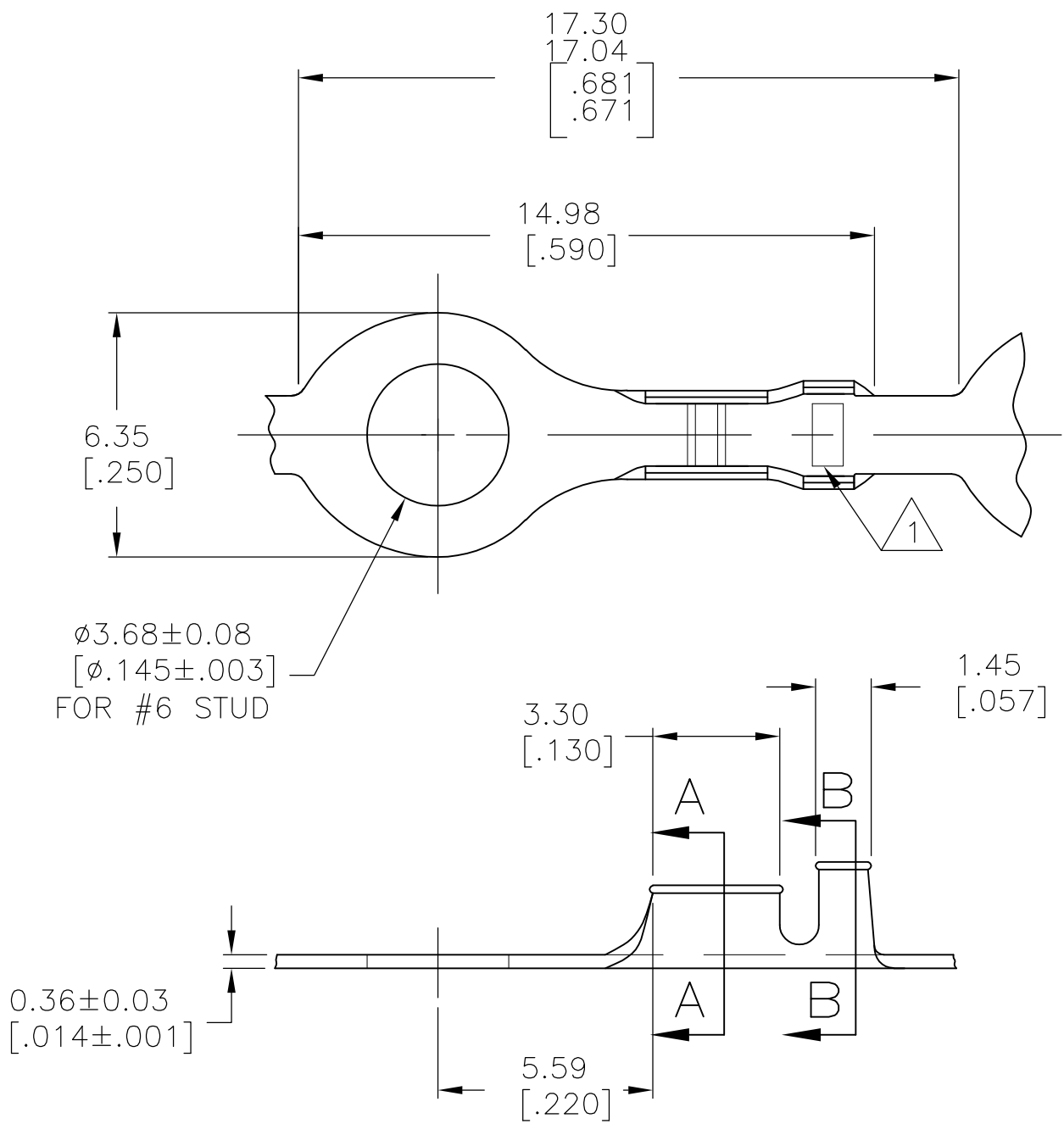
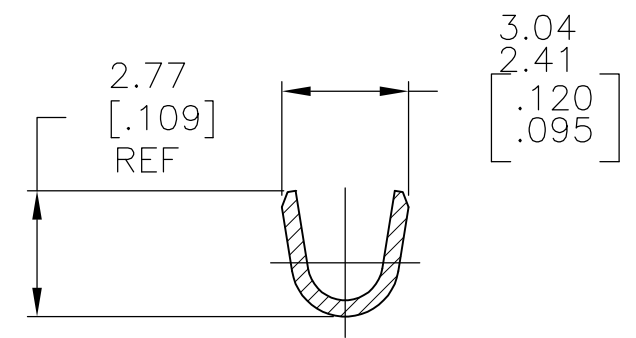


THIS DRAWING IS UNPUBLISHED. RELEASED FOR PUBLICATION
 © COPYRIGHT - By - ALL RIGHTS RESERVED.

REVISIONS					
P	LTR	DESCRIPTION	DATE	DWN	APVD
B2		REVISED PER ECR-09-024991	17NOV09	HMR	PD
B3		REVISED PER ECR-16-012480	16SEP16	ST	TD



SECTION A-A



SECTION B-B

24-20	1.22 [.048] - 1.98 [.078]	PHOS BRONZE	60553-3
		BRASS	60553-1
WIRE SIZE AWG	INSULATION RANGE	MATERIAL	TERMINAL NUMBER

0	.090	2.29	4.32	F	2.03	1.40 [.055]	0.6mm ² [20]
F	.010	[.090]	[.170]	F	[.080]	1.35 [.053]	0.3mm ² [22]
						1.27 [.050]	0.2mm ² [24]
TYPE	WIDTH	STRIP LENGTH ± 0.38 [$\pm .015$]	TYPE	WIDTH	± 0.051 [$\pm .002$]	HEIGHT	WIRE
INSUL BARREL CRIMP			WIRE BARREL CRIMP				

THIS DRAWING IS A CONTROLLED DOCUMENT.

DIMENSIONS: mm [INCHES]

TOLERANCES UNLESS OTHERWISE SPECIFIED:

0 PLC	$\pm -$
1 PLC	$\pm -$
2 PLC	$\pm -$
3 PLC	± 0.38 [.015]
4 PLC ANGLES	$\pm -$ $\pm 1^{\circ} 0'$

MATERIAL: SEE TABLE

FINISH: TIN

DWN: RAGHAVENDRA 07MAY08

CHK: JEFF RUTH 07MAY08

APVD: JEFF RUTH 07MAY08

PRODUCT SPEC: -

APPLICATION SPEC: -

WEIGHT: 0.000000

CUSTOMER DRAWING

SCALE: 6:1

SHEET: 1 OF 1

REV: B3

STE TE Connectivity

RING

SIZE: A3

CAGE CODE: 00779

DRAWING NO: C-60553

RESTRICTED TO: -